

# Pop Up Tent



Hardware Dimension (mm):  
3130/3215/3295/3355h x 2950w x 2950d

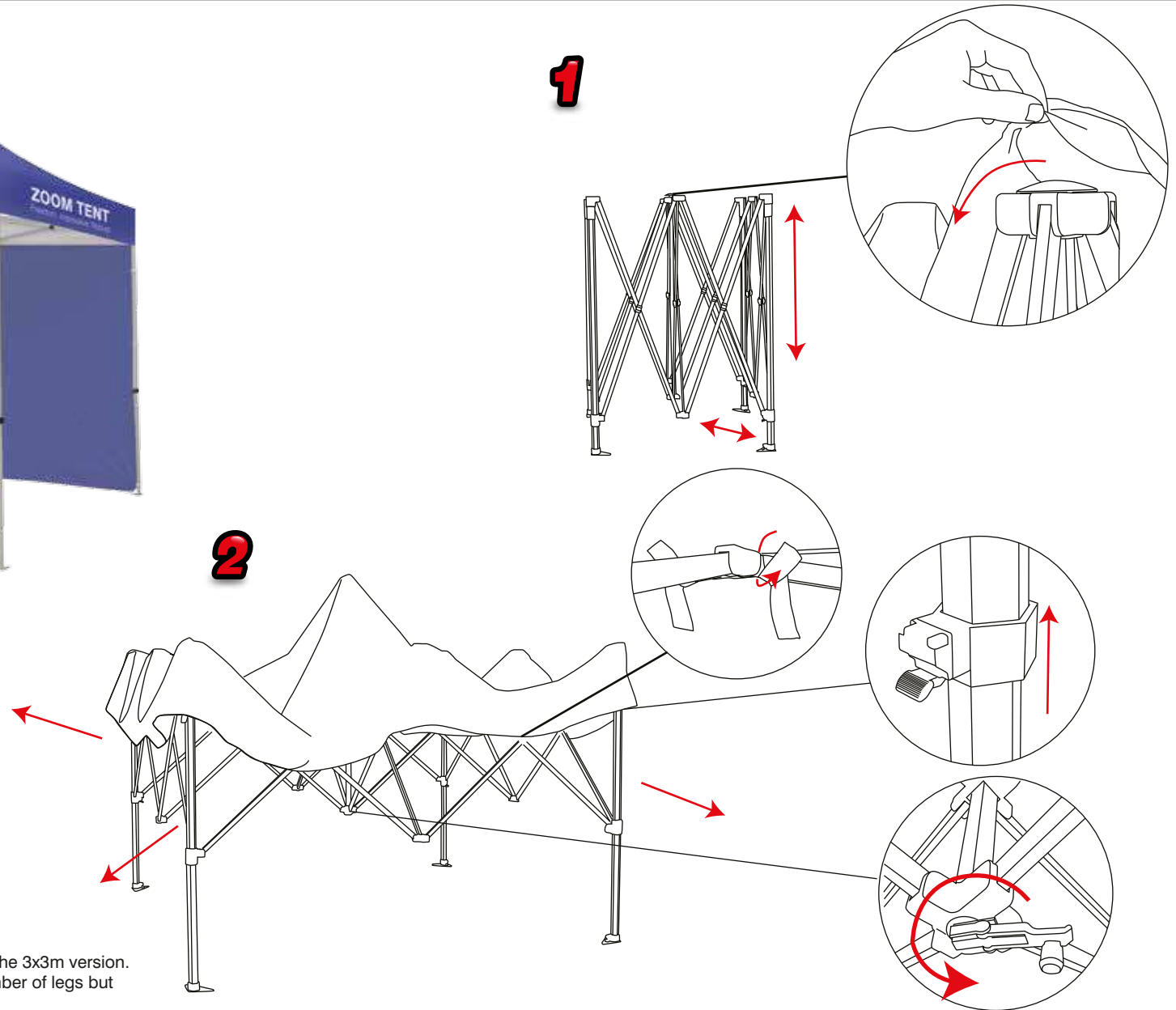
Half wall visible graphic size(mm):  
775(h) x 2760(w)

Full wall visible graphic size(mm):  
2100(h) x 2790(w)

Weight:  
3x3 Tent 19kg - Tent Weight 7.5kg

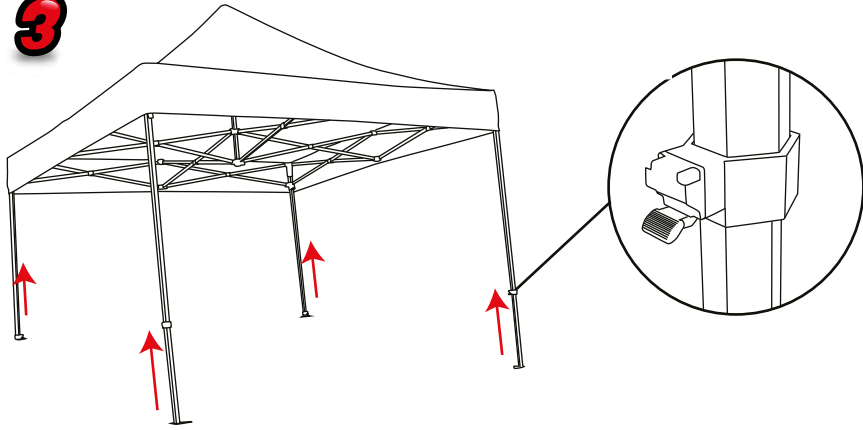
Max Loading Weight:  
40kg

**Important note:** These instructions are based on assembling the 3x3m version. Other size tents will have slightly different dimensions and number of legs but can still be assembled in the same way.



# Pop Up Tent

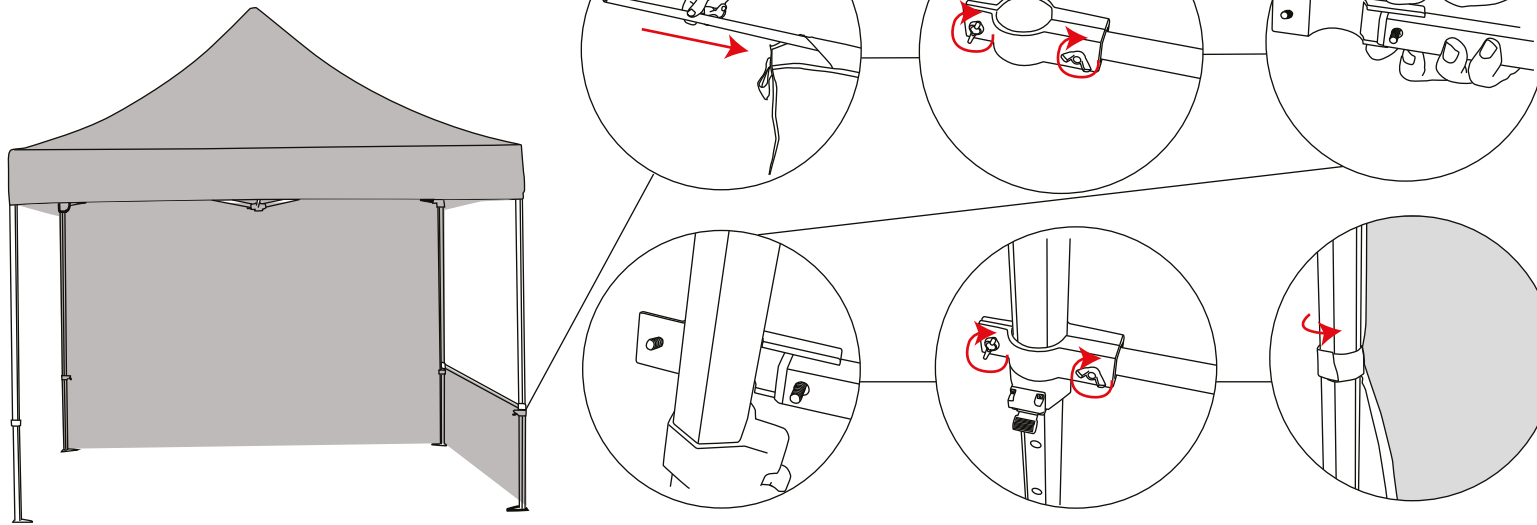
**3**



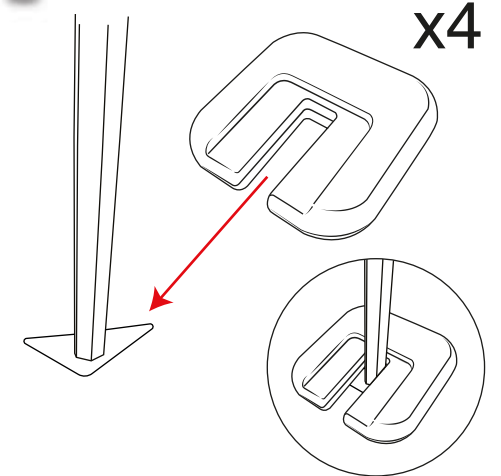
**4**



**5**



**6**



Pop Up Tent

Installation